

FE5000

FE5000 Multi-touch Capacitive HMIs

- Multi-touch capacitive HMI, nimble touch, better light transmittance, anti-scratch, no drift
- Multi-gesture is supported, more friendly man-machine interactive experience
- High resolution, high brightness, IPS
- New configuration software with rich gallery and more powerful function



- Projected capacitive, multi-touch Glass+Glass touch screen.
- 9.7 inch 1024*768 IPS LCD, high brightness, high contrast ratio, full viewing angle.
- Aluminum panel, metal frame, exquisite and metallic appearance, with only 31mm thickness.
- Industrial isolation power supply, spray coating treatment and applicable to various harsh environment.
- SD card Supporting.
- USB Device 2.0, high speed software downloading.
- USB Host: Supporting USB Disk/USB Keyboard/Mouse expanded device etc.
- Complied with RoHS,CE certification.

Technical Parameters

Display:	9.7" TFT LCD
Resolution(W x H):	1024×768
Colors:	24-bit colors
Brightness:	350cd/m ²
Backlight:	LED
Backlight Life:	50000 hours
Touch Panel:	Glass+ glass multi-touch capacitive HMI
CPU:	600MHz ARM Cortex A8
Memory:	128MB Flash + 128MB DDR3
RTC:	Built in
Ethernet :	10M/100M Ethernet
USB Port:	USB Device 2.0*1, USB Host 2.0*1
Download Project:	U-disk/USB Device/Ethernet
COM Port:	COM1/COM2 : RS232/RS485/RS422 COM3/COM4 : RS232

Specifications

0
3

Electrical Specifications

Power Consumption	< 8W
Input Power	DC24V, Input Range: DC 18V~28V
Power Protection	Isolated Power;protected from thunderstrike and surging
Power Down Allowed	< 5mS
CE	CE, complied with EN61000-6-2:2005, EN61000-6-4:2007
RoHS	Complied with RoHS;Surge Immunity: ±1KV, EFT: ±2KV; ESD:4KV, Air:8KV

Others

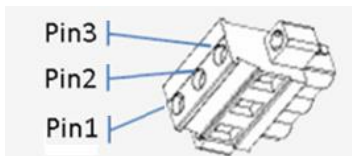
Operating Temperature	-20~70°C
Storage Temperature	-30~85°C
Operating Humidity	10~90%RH(No condensation)
Vibration Endurance	10~25Hz (X/Y/Z 2G/30Min)
Cooling	Natural air cooling

Environment Specifications

Degree of Protection	Front IP65(with NEMA panel),Back IP20
Shell Material	Front cover made by aluminum, and the surface with hard oxide treatment; Back cover made by galvanized sheet and the surface with dry spray treatment
Panel Cutout(W×H)	230×180 (mm)
Dimension	247×197×31 (mm)
Weight	About 1100g

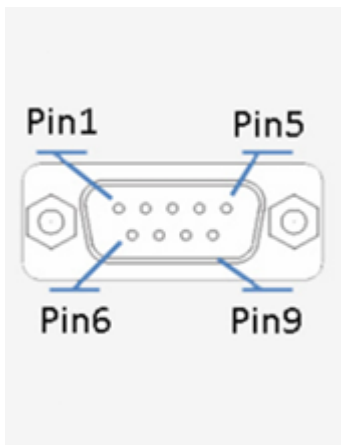
Ports Specifications

Power



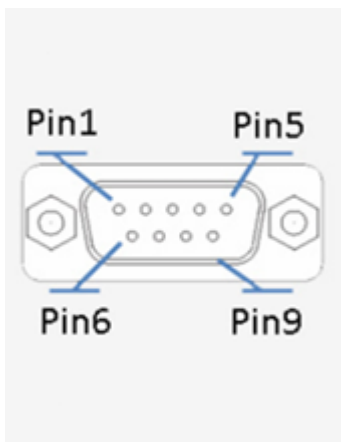
Pin1	DC24V
Pin2	0V
Pin3	FG

COM1/COM3 (9DB)



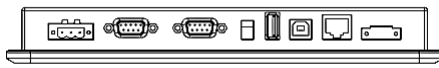
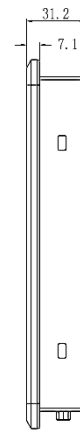
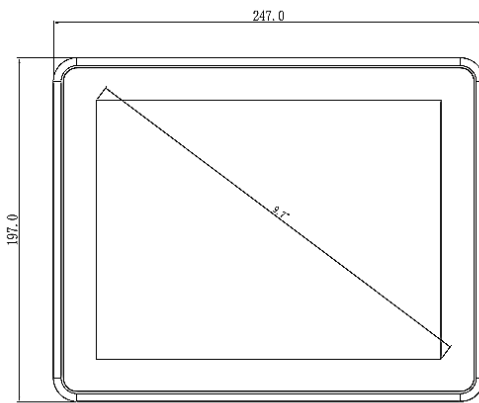
Pin1	Rx-(B)
Pin2	RxD_PLC (COM1 RS232)
Pin3	TxD_PLC (COM1 RS232)
Pin4	Tx-
Pin5	GND
Pin6	Rx+(A)
Pin7	RxD_PC/PLC (COM3 RS232)
Pin8	TxD_PC/PLC (COM3 RS232)

COM2/COM4 (9DB)

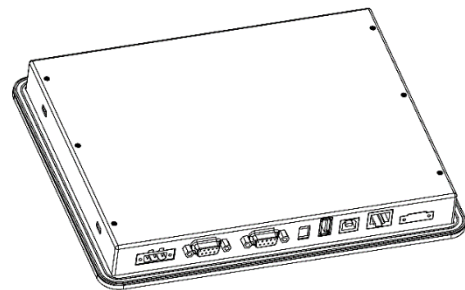
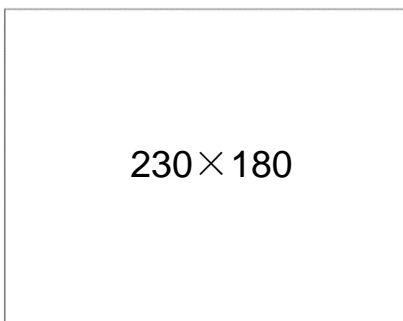


Pin1	Rx-(B)
Pin2	RxD_PLC (COM2 RS232)
Pin3	TxD_PLC (COM2 RS232)
Pin4	Tx-
Pin5	GND
Pin6	Rx+(A)
Pin7	RxD_PC/PLC (COM4 RS232)
Pin8	TxD_PC/PLC (COM4 RS232)
Pin9	Tx+

Mechanical Structure



Panel Structure



Shanghai (R&D)

Add. Room 804, C6 Building, No.52 Bay Valley Technology Park, Lane 1688 North Guoquan Road, Yangpu District, Shanghai, 200438
Tel. +86-21-68683993
Fax +86-21-65107569

Suzhou

Add. Room 915, Ruiqi Building, No.668 Fengting Road, Suzhou Industrial Area, Suzhou.
Tel. +86-512-69833996

Shenzhen

Add. 5 Floor C, No.2 Building, Honglong High-tech Park (Lanyun Industrial Park), Liyuan Industrial Area, Zhuangchang Villiage, Langxin committee, Shiyan Street, Bao'an District, Shenzhen
Tel. +86-755-27610682
Fax +86-755-27629895

Wuxi

Add. Room 1603, Taihu Lake Developing Building, No. 1890 West Lake Avenue, Binhu Area, Wuxi.
Tel. +86-18505101982

Beijing

Add. Room 303, Unit 4, Building 1, Caiman Street, No 67 Chaoyang Road, ChaoYang District, Beijing.
Tel. +86-10-51388516
Fax +86-10-51388681

Bussiness: 0755-27610681

Technical Support: 4008-033-022

E-mail: sales@flexem.cn

Website: www.flexem.com