

## F0 Economic Capacitive HMI

- Projected capacitive, multi-touch Glass+Glass touch screen.
- high brightness, high contrast ratio, full viewing angle.
- Industrial isolation power supply, spray coating treatment and applicable to various harsh environment.
- Photoelectricity isolation communication ports.



- \* Perfect experience and multi-touch.
- \* Humanistic man-computer connection and easy-to-use configuration software.
- \* Patented anti – shedding structure.
- \* Patented auto-lock settings.

## Hardware

Display	9.7"4:3 TFT LCD
Resolution(W×H)	1024×768
Colors	24 bit color
Brightness	350 cd/m <sup>2</sup>
Backlight	LED
Backlight Life	50000 Hrs
Touch Panel	Glass+Glass projective multi-touch capacitive HMI
CPU	600MHz ARM Cortex-A8
Memory	128MB Flash + 128MB DDR3
RTC	Built in
Ethernet	10M/100M Ethernet
SD Card Connection	Available
USB Port	1 USB Device 2.0,1 USB Host 2.0
Download Project	USB Device/Ethernet/u-disk
Com Port	COM1: RS232/RS485/RS422
	COM2/COM4:RS485
	COM3: RS232

## Electrical Specifications

Power Consumption	< 6W
Input Power	DC24V , Input Range: DC 9V~28V
Power Protection	Protected from thunderstrike and surging
Power Down Allowed	< 3mS
CE & RoHS	Complied with EN61000-6-2:2005 , EN61000-6-4:2007,CE RoHS,Surge Immunity:±1KV, EFT:±2KV, ESD:4KV, Air:8KV

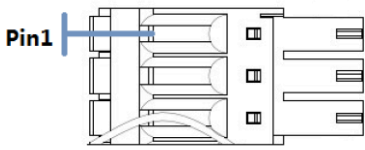
## Environment Specifications

Operating Temperature	-10~60C
Storage Temperature	-20~70C
Operating Humidity	10~90%RH ( No condensation )
Vibration Endurance	10~25Hz (X/Y/Z 2G/30Min)
Cooling	Natural cooling

## Others

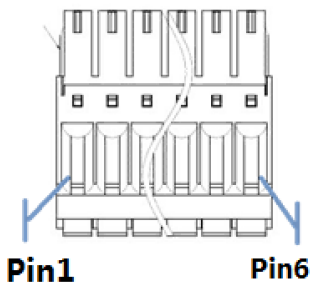
Degree of Protection	Front IP65 ( with NEMA panel ) , Back IP20
Shell Material	ABS+PC
Panel Cutout(W×H)	230mm×180mm
Dimension	247mm×197mm×31.5mm
Weight	About 1000g

## Power Terminals



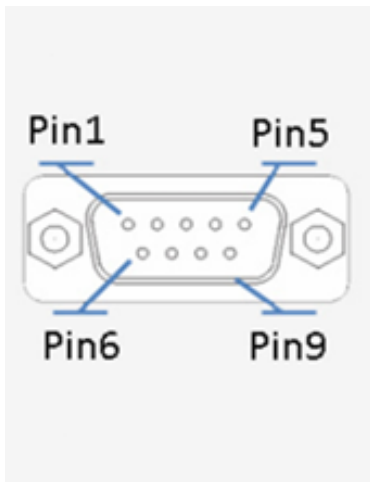
Pin1	FG
Pin2	GND
Pin3	DC24V

## COM2/COM4



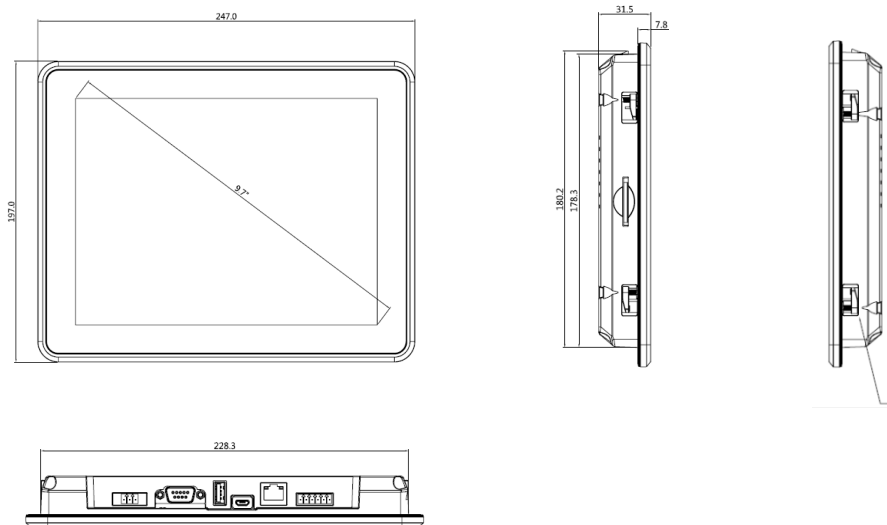
Pin1	A+(COM2)
Pin2	B-(COM2)
Pin3	GND
Pin4	A+(COM4)
Pin5	B-(COM4)
Pin6	GND

## COM1/COM3(9DB Male Ports)

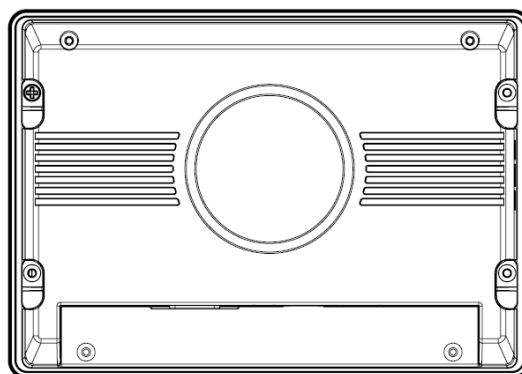
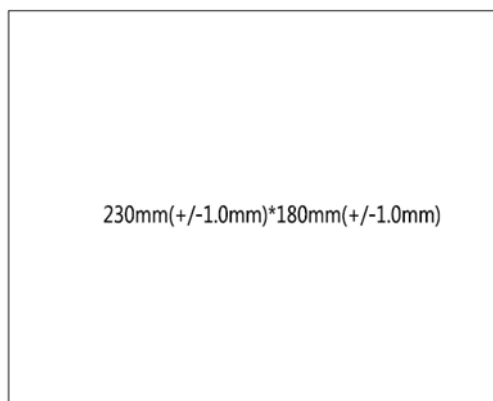


Pin1	Rx-(B)
Pin2	RxD (COM1 RS232)
Pin3	TxD (COM1 RS232)
Pin4	Tx-
Pin5	GND
Pin6	Rx+(A)
Pin7	RxD (COM3 RS232)
Pin8	TxD (COM3 RS232)
Pin9	Tx+

## Mechanical Dimension



## Cutout Dimension



## Shanghai ( R&D )

Add. No. 1117~1119 Tongye Building, Wujiaochang high science and technology industrial park, No. 32 Tieling Road, Yangpu District, Shanghai.

Tel. +86-21-68683993

Fax +86-21-65107569

## Shenzhen

Add. 5th Floor, NO.2 Building, Lanyun Science Park, Tangtou Road, Shiyan Town, Baoan District, Shenzhen.

Tel. +86-755-27610682

Fax +86-755-27629895

## Beijing

Add. Room 303, Unit 4, Building 1, Caiman Street, No 67 Chaoyang Road, ChaoYang District, Beijing.

Tel. +86-10-51388516

Fax +86-10-51388681

## Suzhou

Add. Room 915, Ruiqi Building, No.668 Fengting Road, Suzhou Industrial Area, Suzhou.

Tel. +86-512-69833996

## Wuxi

Add. Room 1603, Taihu Lake Developing Building, No. 1890 West Lake Avenue, Binhu Area, Wuxi.

Tel. +86-18505101982

Bussiness: 0755-27610681

Technical Support: 4008-033-022

E-mail: [sales@flexem.cn](mailto:sales@flexem.cn)

Website: [www.flexem.com](http://www.flexem.com)