

FE4000 Series

FE4000 New Economic HMIs

- ABS+PC enclosure, low cost, high reliability.
- The mainboard is with spray coating treatment, adapt to harsh industrial environment.
- High resolution, high brightness, LED backlight.
- Simple dual communication ports, supporting USB Disk/USB
- Totally new configuration software, rich gallery and powerful function.



- 4.3" 480×272 TFT LCD.
- ABS+PC, plastic enclosure and with only 38mm thickness.
- Industrial Isolated Power Supply module, 4 Serial Ports.
- USB 2.0 Device Port and high-speed software downloading.
- USB Host, Supporting USB Disk/USB Keyboard/Mouse expanded device etc.
- The mainboard is with spray coating treatment, adapt to harsh industrial environment.
- Complied with ROHS, CE.

Technical Parameters

Display:	4.3" TFT LCD
Resolution(WxH):	480×272
Colors:	24-bit
Brightness:	420cd/m ²
Backlight:	LED
Backlight Life:	50000 hours
Touch Panel:	4 wires resistive touch screen (Surface hardness 4H)
CPU:	600MHz ARM Cortex A8
Memory:	128M Flash + 128M DDR3
RTC:	Built in
Ethernet:	None
USB Port:	USB Device 2.0*1, USB Host 2.0*1
Download Project	U-disk/USB Device
COM Port:	COM1 : RS232/RS485/RS422 COM3 : RS232

Technical Parameters

Specifications

Power Consumption	< 5W
Input Power	DC24V , working range DC 9V~28V
Power Protection	Protected from thunder strike and surging
Power Down Allowed:	< 5mS
CE	Complied with EN61000-6-2:2005 , EN61000-6-4:2007, CE
RoHS	RoHS, Surge Immunity:±1KV, EFT:±2KV; ESD:4KV, Air:8KV

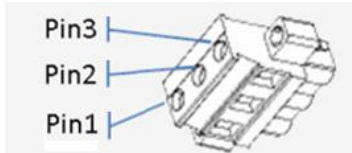
Environment Specifications

Operating Temperature:	0~50C
Storage Temperature:	-20~60C
Operating Humidity:	10~90%RH (no condensate)
Vibration Endurance:	10~25Hz (X、 Y、 Z direction 2G/30 minutes)

Others:

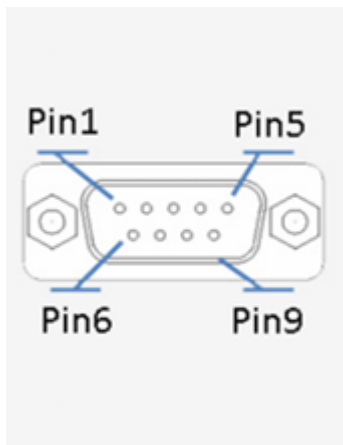
Degree of Protection:	Front IP65(with NEMA panel),Back IP20
Shell Material:	ABS
Panel Cutout:	120×93 (mm)
Dimension:	128×102×32 (mm) (without terminals)
Weight:	About 500g

Power Terminals



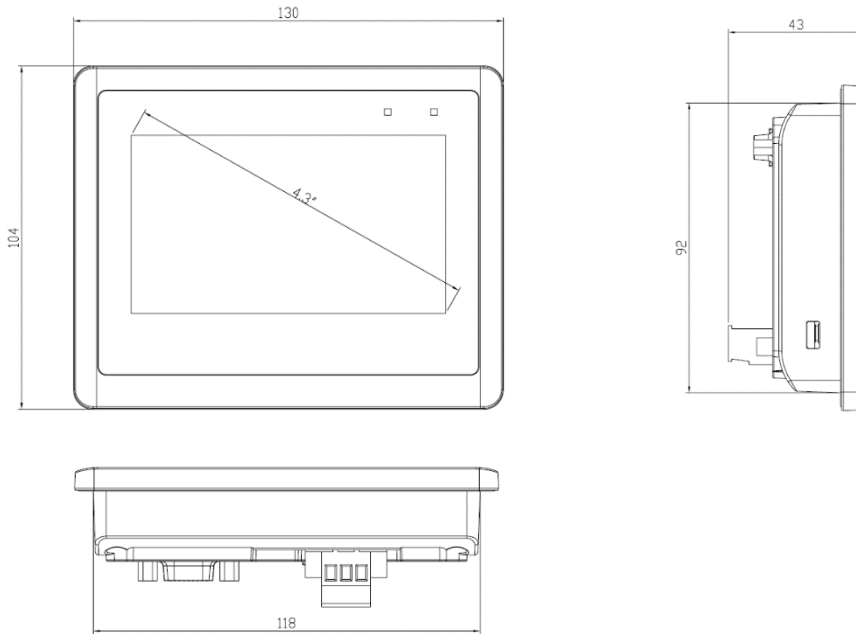
Pin1	DC24V
Pin2	0V
Pin3	FG

COM1/COM3 Communication Ports (Male)

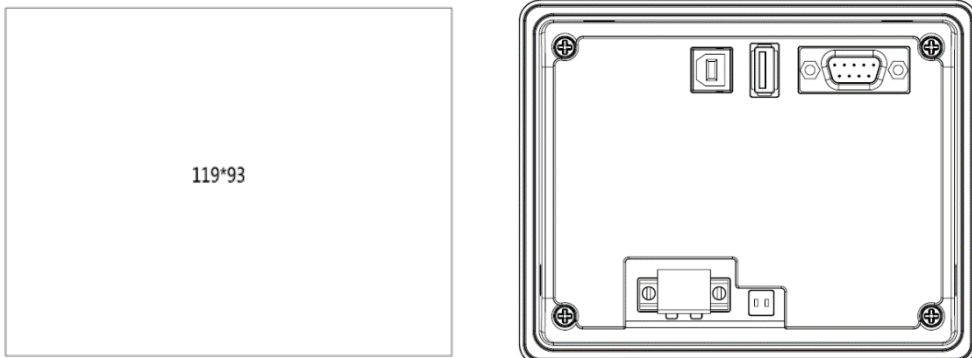


Pin1	Rx-(B)
Pin2	RxD_PLC (COM1 RS232)
Pin3	TxD_PLC (COM1 RS232)
Pin4	Tx+
Pin5	GND
Pin6	Rx+(A)
Pin7	RxD_PC/PLC (COM3 RS232)
Pin8	TxD_PC/PLC (COM3 RS232)
Pin9	Tx+

Dimension



Hole Dimension



Shanghai (R&D)

Add. Room 804, C6 Building, No.52 Bay Valley Technology Park, Lane 1688 North Guoquan Road, Yangpu District, Shanghai, 200438
Tel. +86-21-68683993
Fax +86-21-65107569

Shenzhen

Add. 5 Floor C, No.2 Building, Honglong High-tech Park (Lanyun Industrial Park),
Liyuan Industrial Area, Zhuangchang Villiage,
Langxin committee, Shiyan Street, Bao'an District,
Shenzhen
Tel. +86-755-27610682
Fax +86-755-27629895

Beijing

Add. Room 303, Unit 4, Building 1, Caiman Street,
No 67 Chaoyang Road, ChaoYang District,
Beijing.
Tel. +86-10-51388516
Fax +86-10-51388681

Suzhou

Add. Room 915, Ruiqi Building, No.668 Fengting Road, Suzhou Industrial Area, Suzhou.
Tel. +86-512-69833996

Wuxi

Add. Room 1603, Taihu Lake Developing Building,
No. 1890 West Lake Avenue, Binhu Area,
Wuxi.
Tel. +86-18505101982

Bussiness: 0755-27610681

Technical Support: 4008-033-022

E-mail: sales@flexem.cn

Website: www.flexem.com